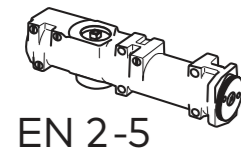
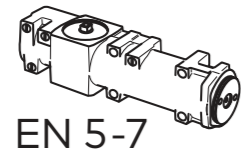


CE	dormakaba Deutschland GmbH	04
	Postfach 4009	
	68247 Ennepetal	
	0432-CPR-00026-30	
	EN 1154:1996/A1:2002	4 8 2-5 1 1 4
	AC:2006	4 8 5-7 1 1 4
	DOP_0001/DOP_0002	



EN 2-5



EN 5-7

IMPORTANT

READ CAREFULLY BEFORE USE

KEEP THE MANUAL FOR FUTURE REFERENCE

"Original instruction manual"

Target group
The door closer may only be installed by technically trained specialists.

Intended use
The TS 93 is exclusively aimed to be used for the controlled closing of single-action doors.

Limitation of liability
The TS 93 may only be used in accordance with its intended use. Modifications to the product or the use of accessories not approved by the manufacturer are not permitted.

Installation instructions
The illustrations in this manual show the installation for DIN-L and DIN-R.

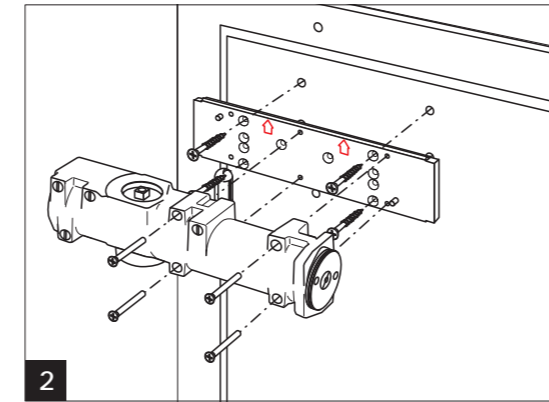
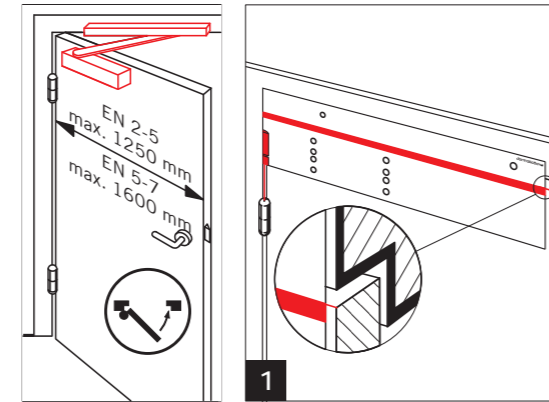
TS 93 B EN 2-5/ EN 5-7

WN 056604 45532
2020-03

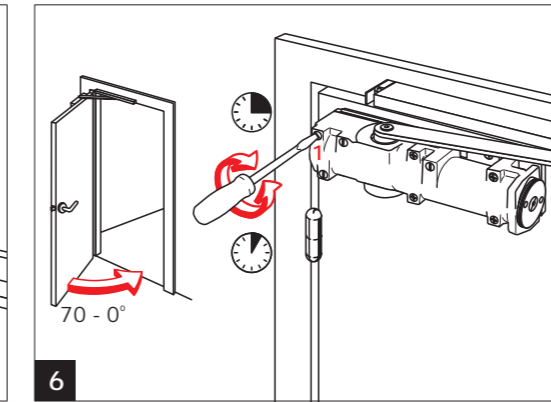
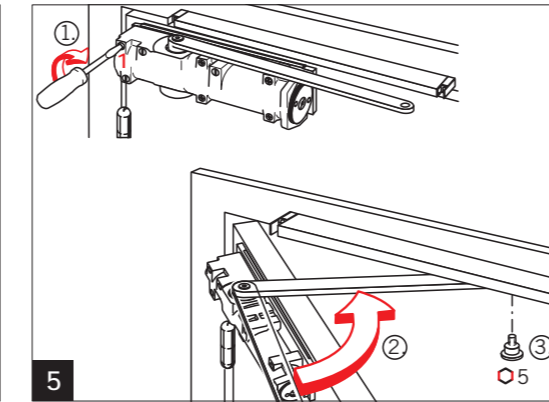
EN

Mounting instructions

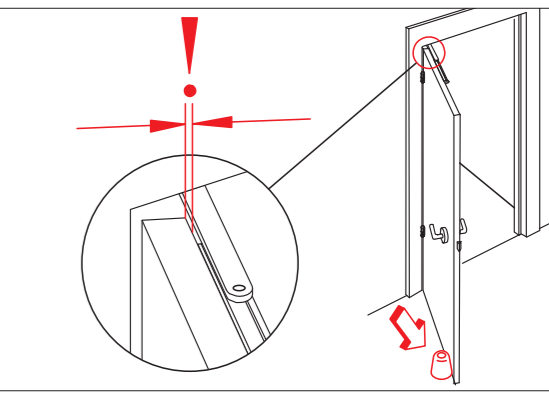
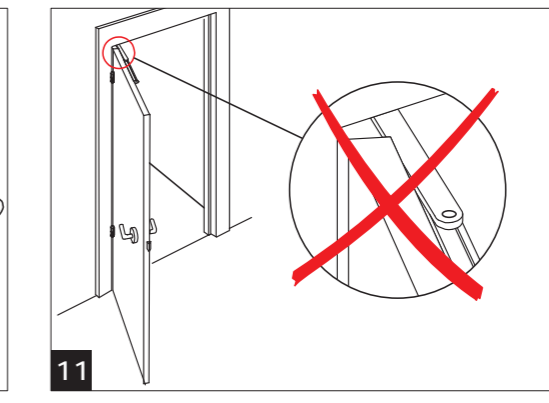
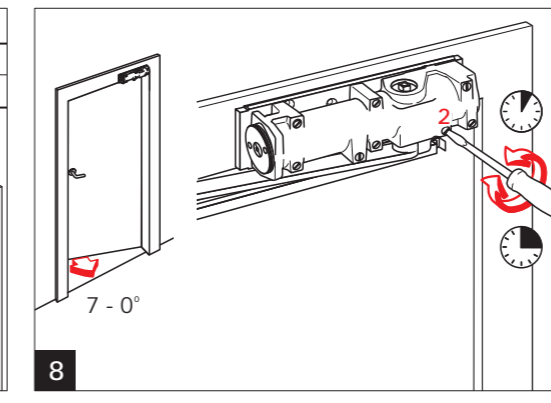
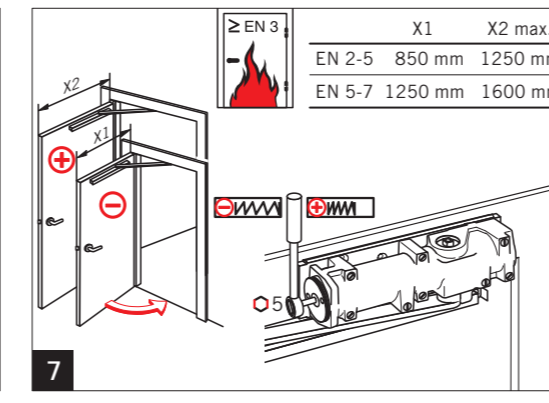
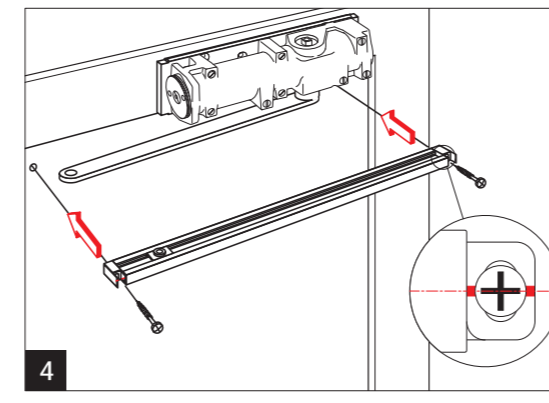
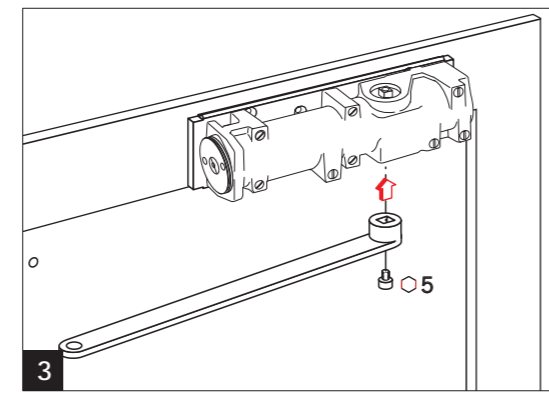
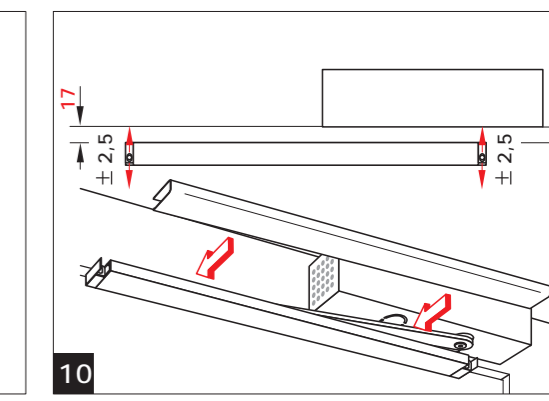
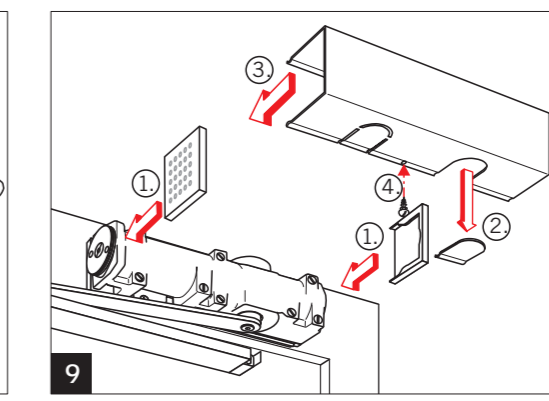
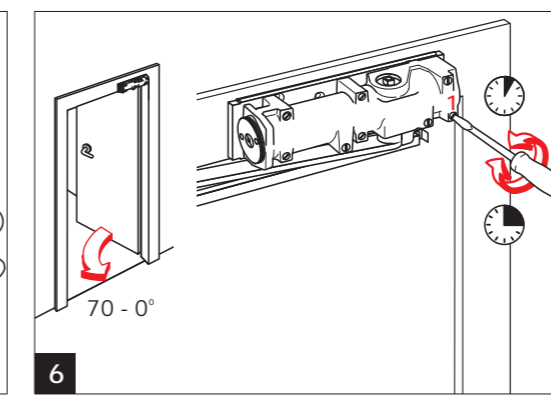
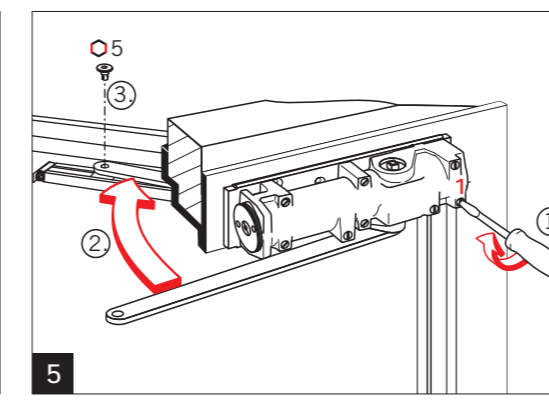
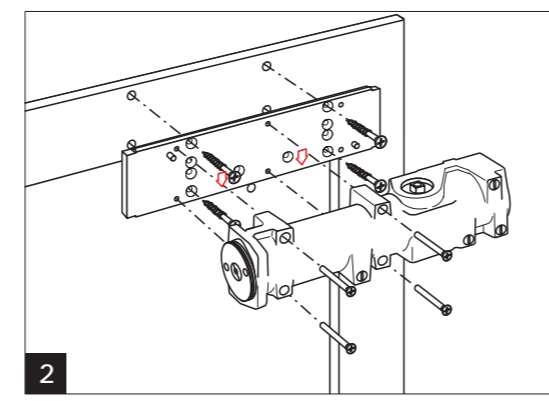
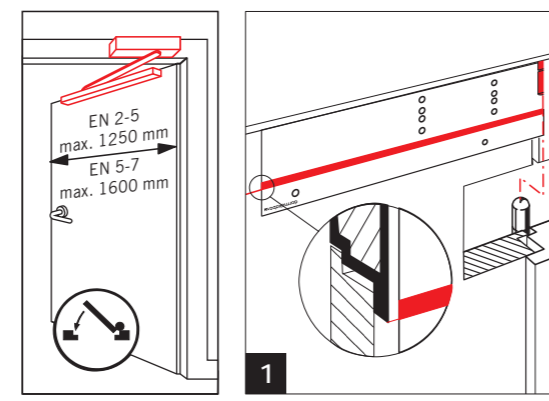
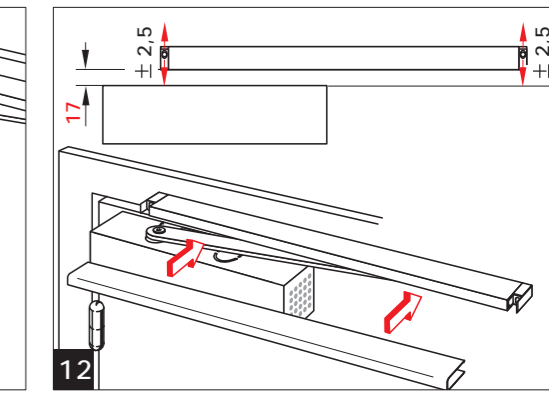
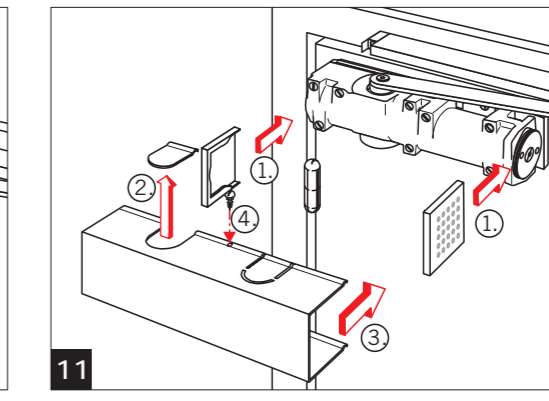
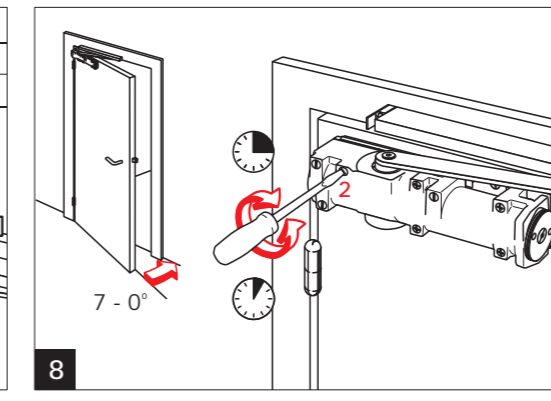
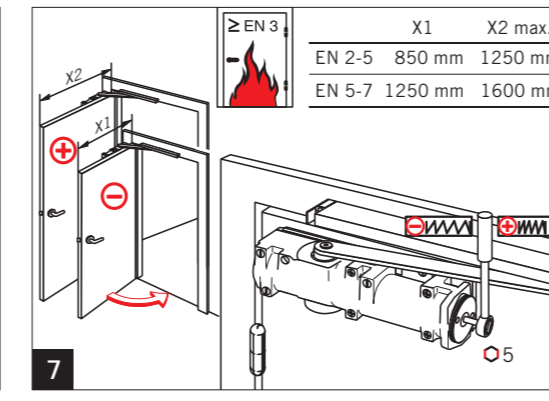
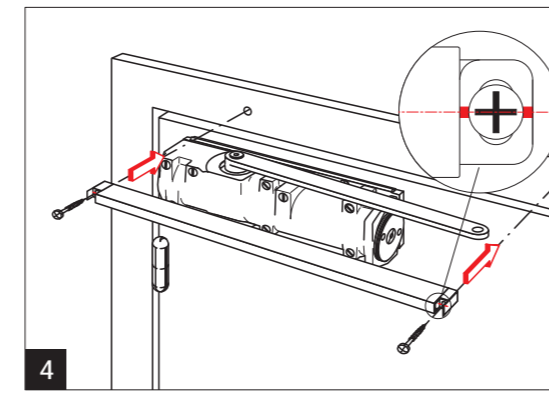
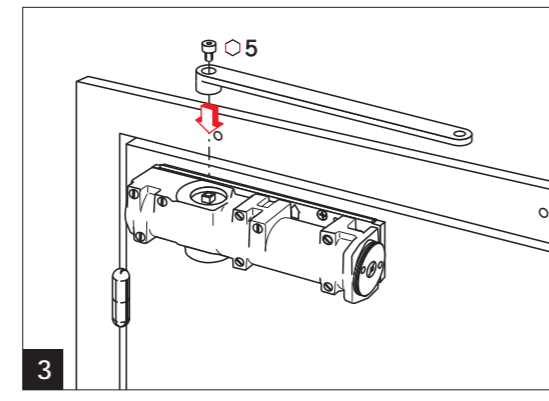
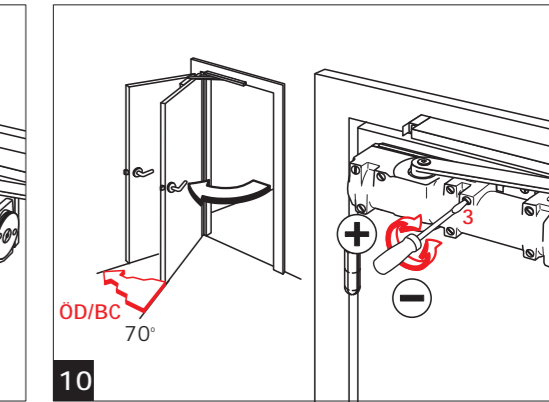
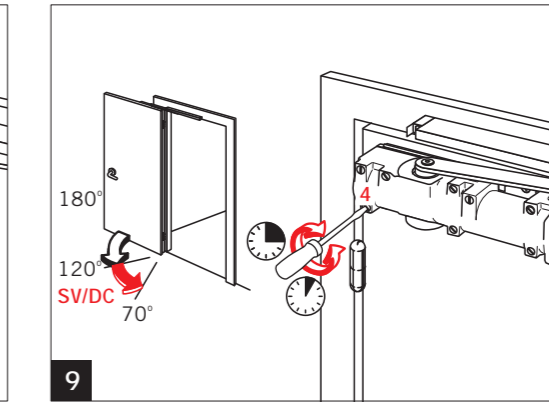
dormakaba Mounting instructions



dormakaba Mounting instructions



dormakaba Mounting instructions



TS 93 B EN 2-5/EN 5-7

WN 056604 45532

2020-03

2

TS 93 B EN 2-5/EN 5-7

WN 056604 45532

2020-03

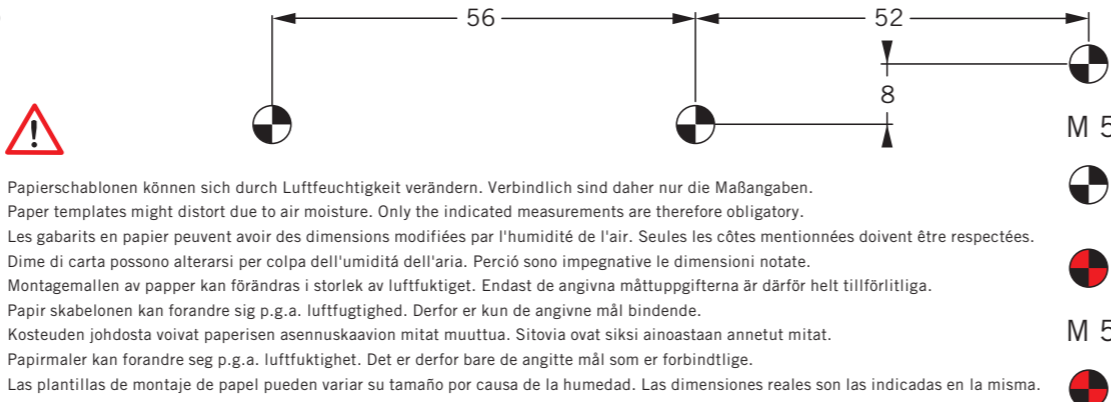
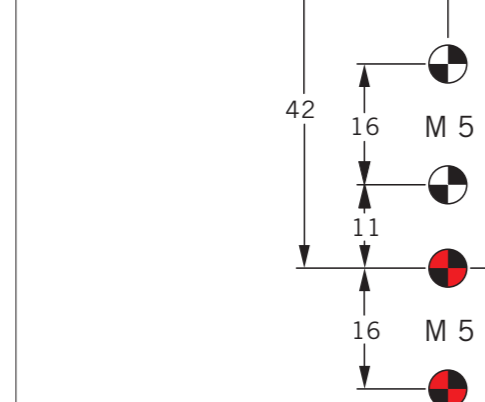
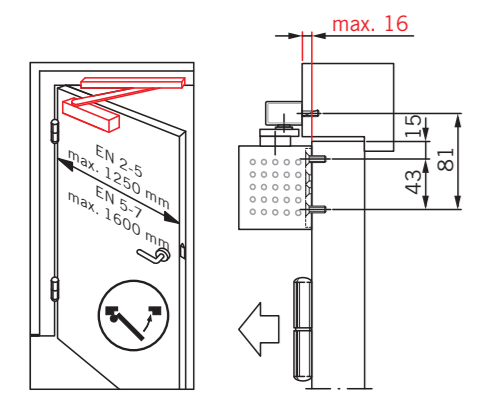
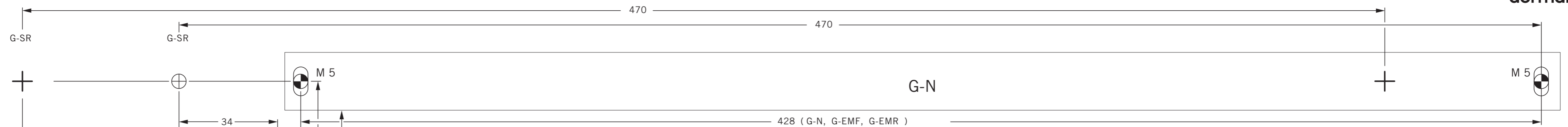
3

TS 93 B EN 2-5/EN 5-7

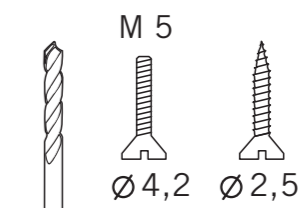
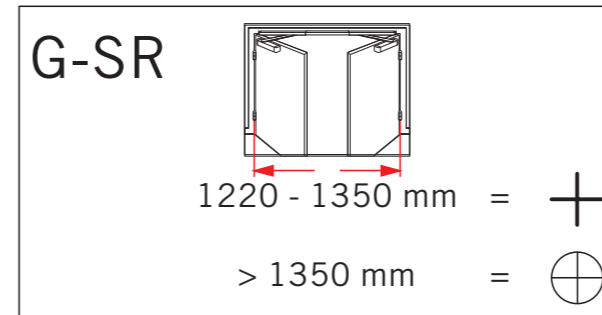
WN 056604 45532

2020-03

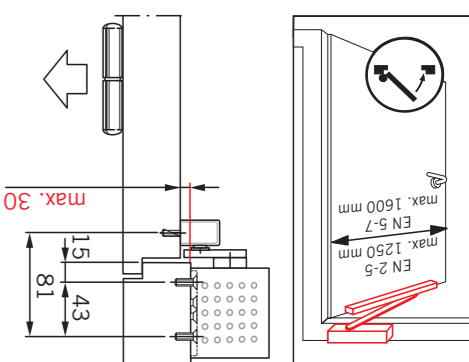
4



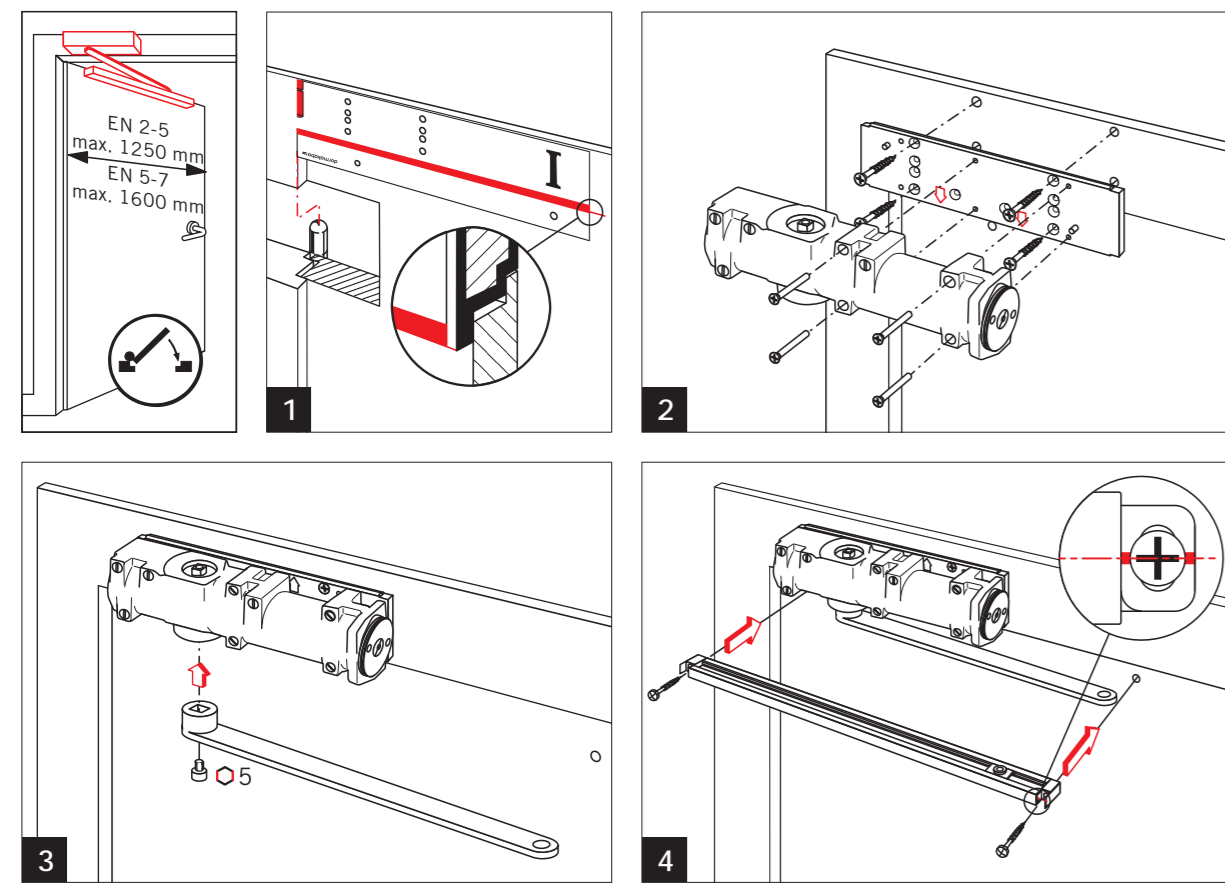
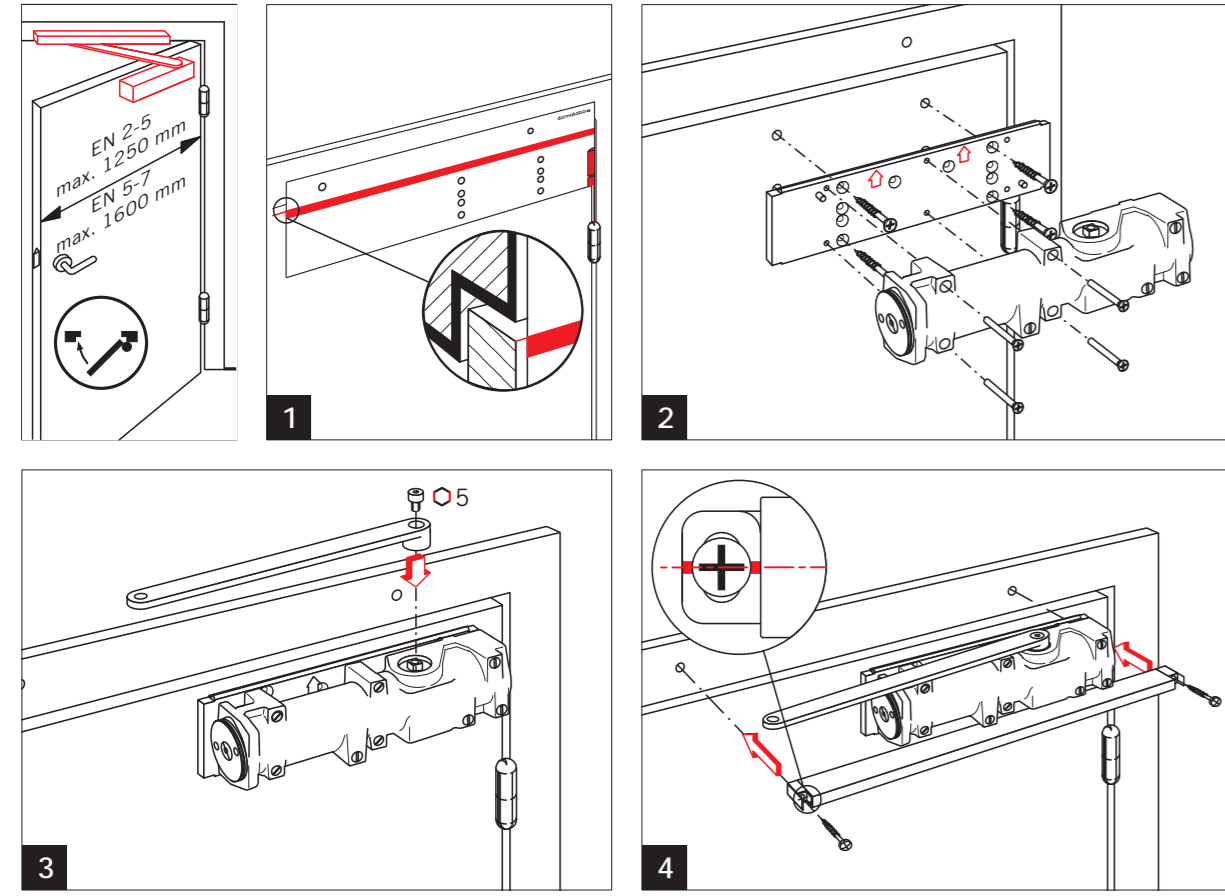
**TS 93 B
EN 2-5/EN 5-7**



Lochgruppe gemäß Beiblatt 1 zur DIN EN 1154

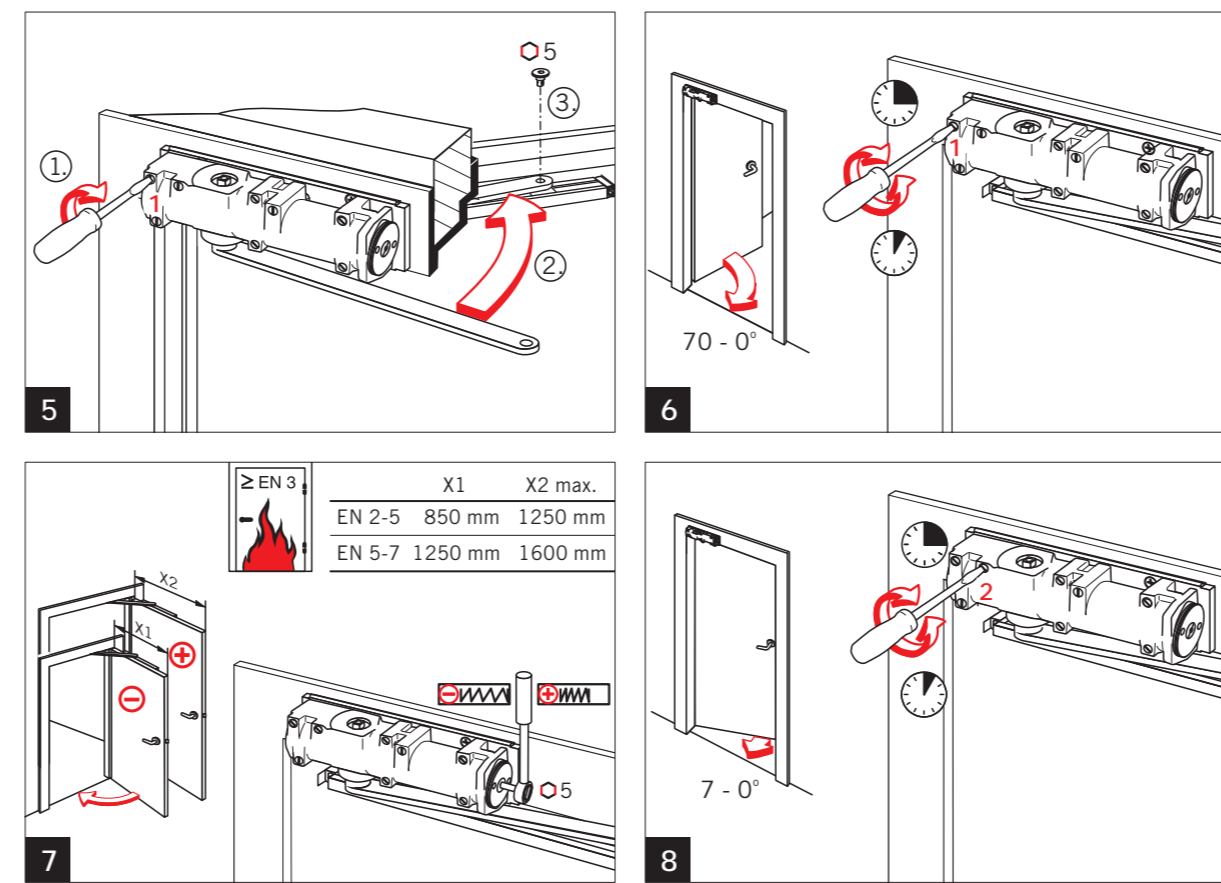
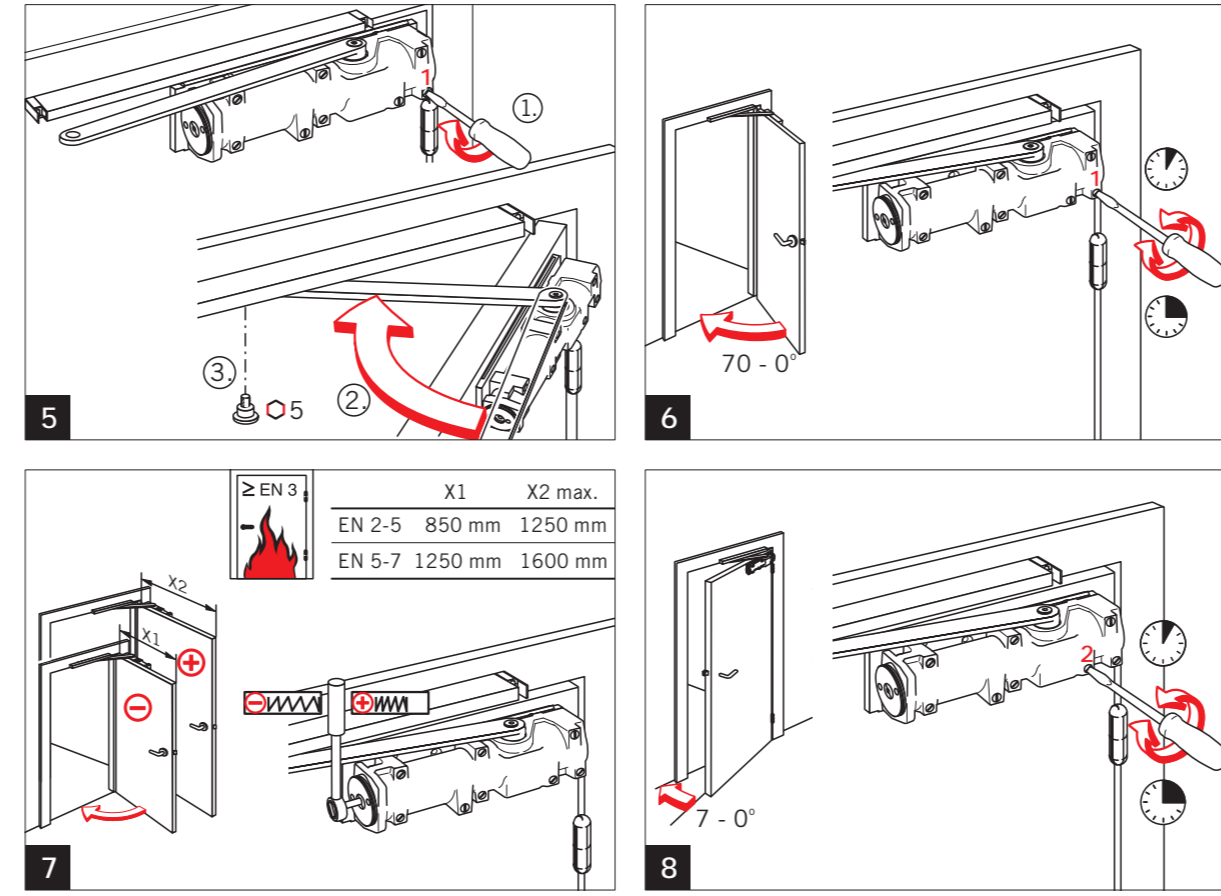


dormakaba Mounting instructions



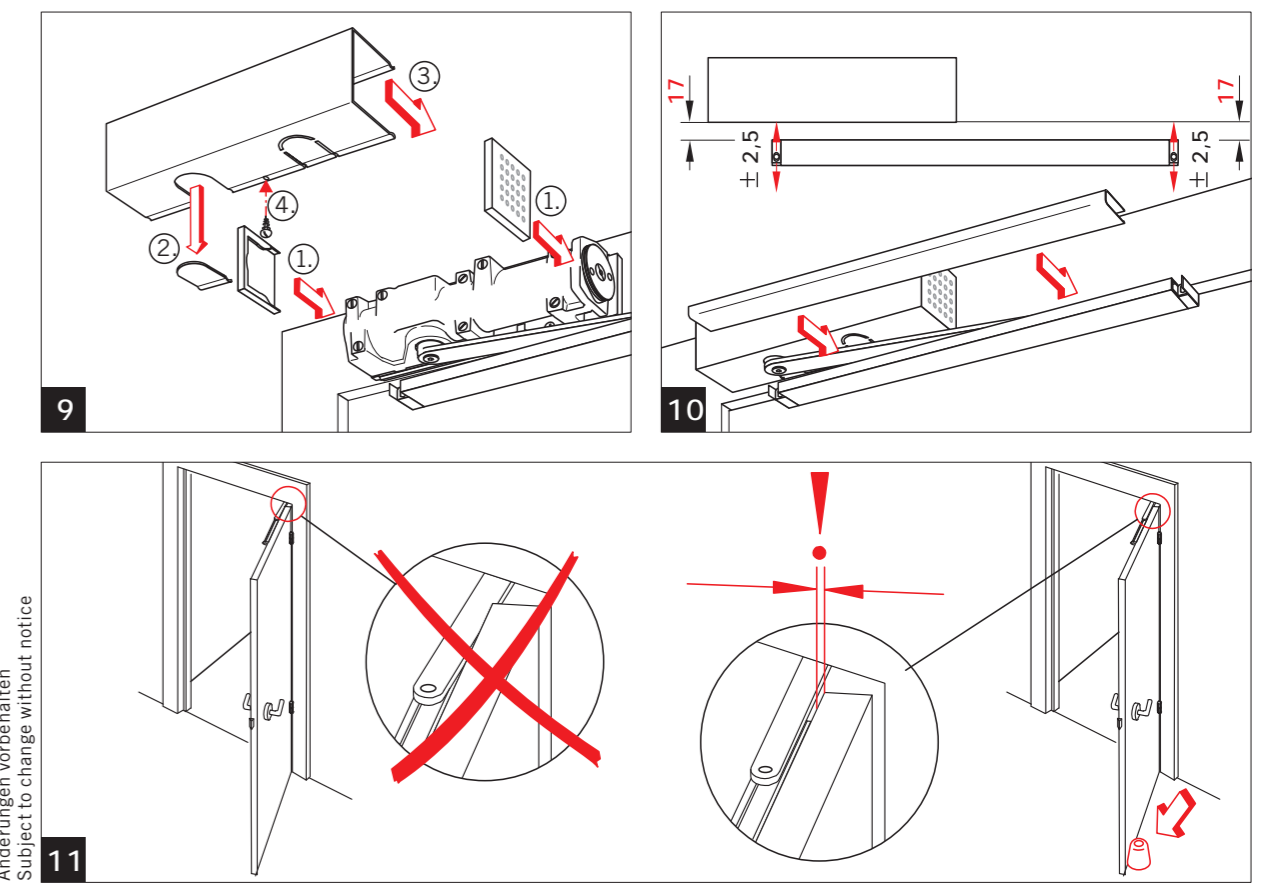
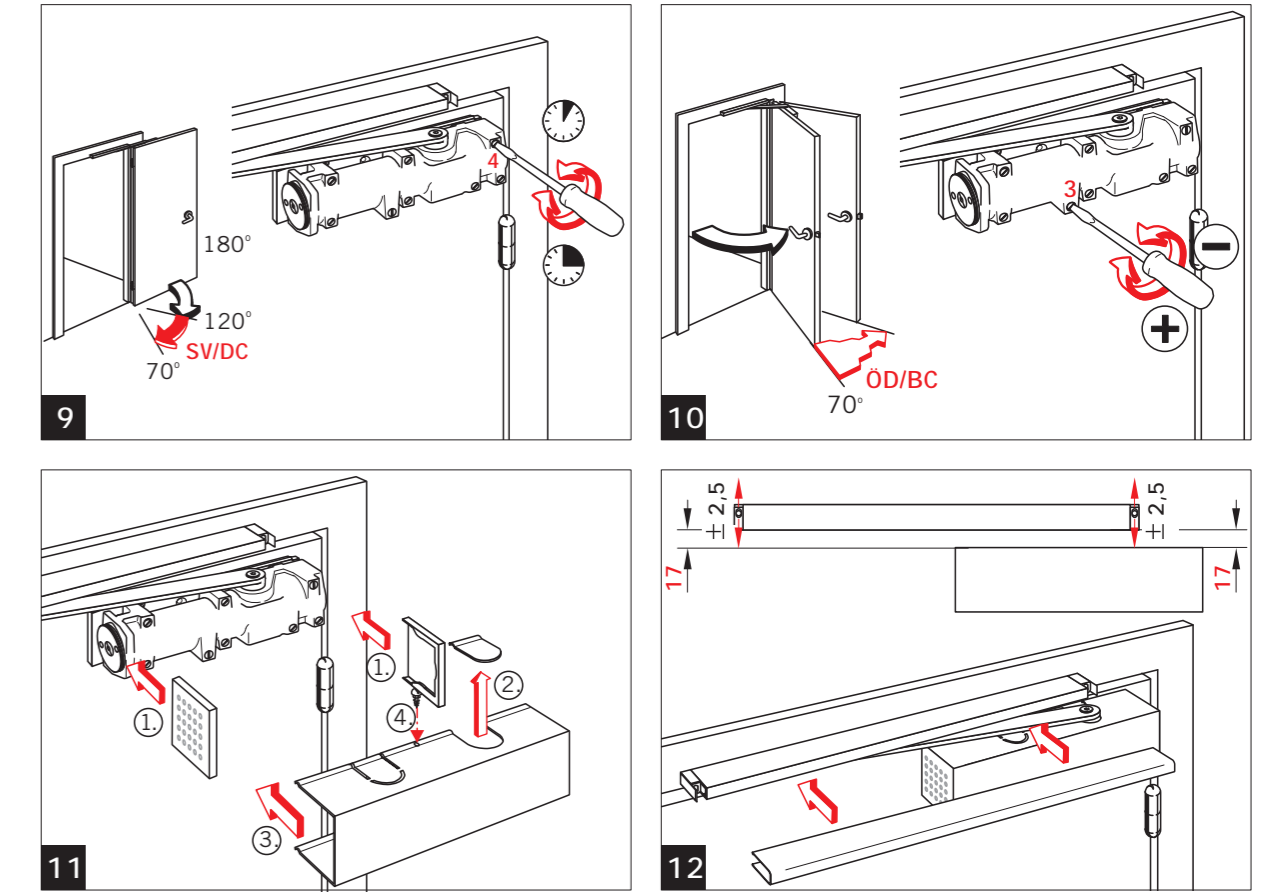
TS 93 B EN 2-5/EN 5-7 WN 056604 45532 2020-03 5

dormakaba Mounting instructions

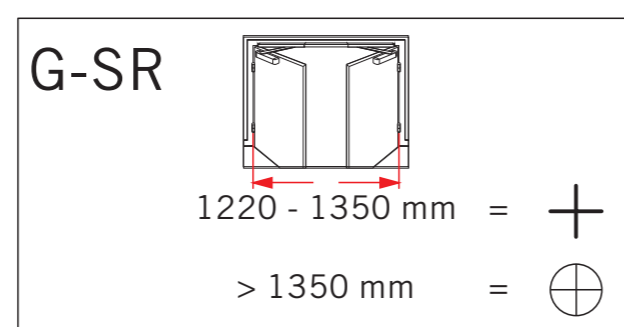
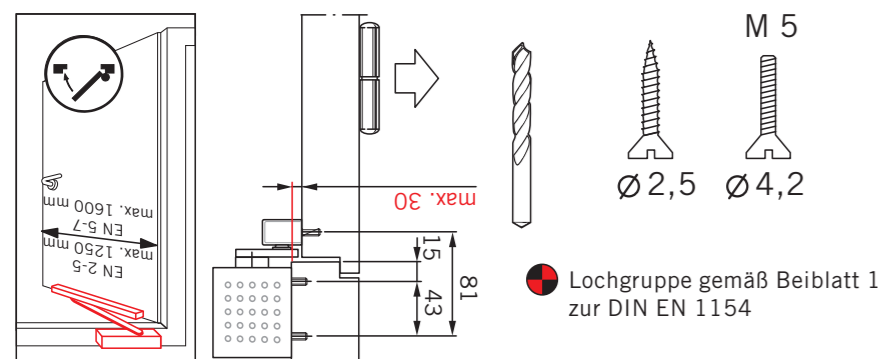
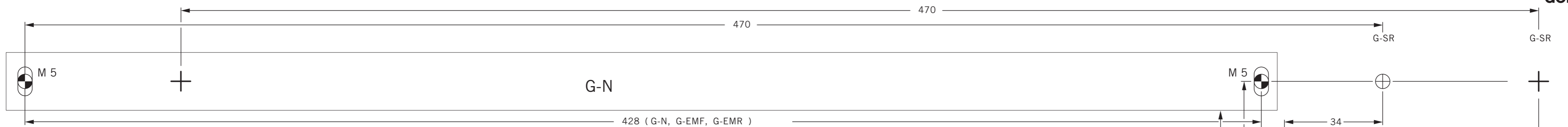


TS 93 B EN 2-5/EN 5-7 WN 056604 45532 2020-03 6

dormakaba Mounting instructions



dormakaba Deutschland GmbH DORMA Platz 1 58256 ENNEPETAL Tel. +49 2333 793-0 Fax +49 2333 793-4950 www.dormakaba.com



TS 93 B
EN 2-5/EN 5-7

